



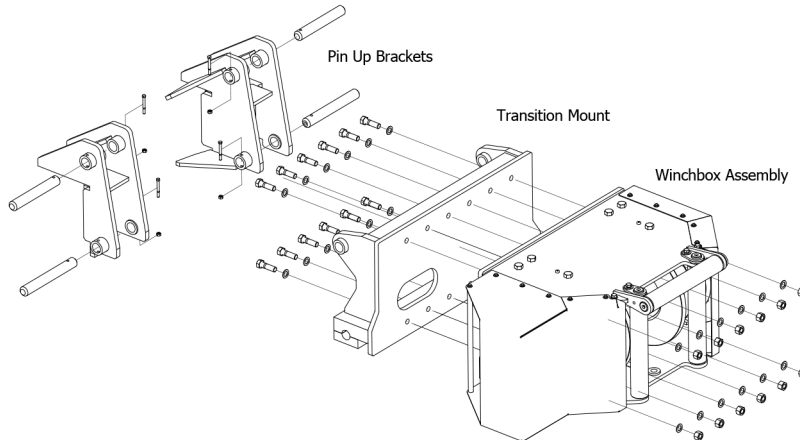
M55W 55,000 lb Recovery Winch for Excavators

FEATURES

- Pins to lower frame of Excavator
- Mounts below cab with clearance for full 360° rotation
- Ties into auxiliary hydraulic circuit
- Bulkhead connections for easy installation and removal
- Uses existing cab controls for all winch functions
- Includes a 3-roller fairlead
- Supplied with 1" x 150' long wire rope with tail chain and hook

SPECIFICATIONS

WINCH PERFORMANCE SPECIFICATIONS					
2800 PSI			Ø 1.00 CABLE		
GEAR RATIO 184:1	WINCH PERFORMANCE AT LOW SPEED		WINCH PERFORMANCE AT HIGH SPEED		TOTAL DRUM CAPACITY (FT)
	40 GPM	6.38 CID	40 GPM	3.19 CID	
LAYER	STALL LINE PULL (LBS)	WINCH SPEED (FPM)	STALL LINE PULL (LBS)	WINCH SPEED (FPM)	Ø 1.00 CABLE
FIRST	55,000	21	27,437	41	44
SECOND	47,557	25	23,779	49	95
THIRD	41,962	28	20,981	140	153



NOTE: Recovery winch only. Not to be used for towing.

U.S. Patent No. 11,926,990