



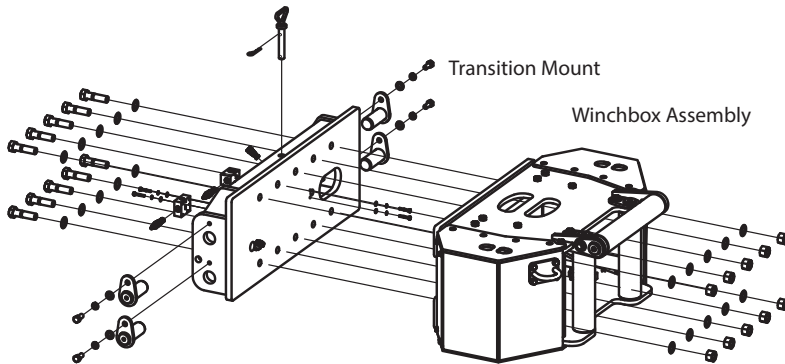
## M30W 30,000 lb Recovery Winch for Wheel Loaders and Small Excavators

### FEATURES

- Pins to rear hitch plate of loader
- Maintains rear clearance height
- Ties into auxiliary hydraulic circuit
- Bulkhead connections for easy installation and removal
- Uses existing cab controls for all winch functions
- Includes a 3-roller fairlead
- Supplied with 3/4" x 200' long wire rope with tail chain and hook

### WINCH SPECIFICATIONS

@ 2,800 PSI and 24 GPM					
GEAR RATIO 41:1	WINCH PERFORMANCE AT LOW SPEED		WINCH PERFORMANCE AT HIGH SPEED		TOTAL DRUM CAPACITY (FT)
LAYER	STALL LINE PULL (LBS)	WINCH SPEED (FPM)	STALL LINE PULL (LBS)	WINCH SPEED (FPM)	Ø .75 CABLE
FIRST	30000	28	15000	56	29
SECOND	25300	33	12700	67	64
THIRD	21900	38	10900	77	106
FOURTH	19300	44	9640	87	154
FIFTH	17200	49	8620	98	208



NOTE: Recovery winch only. Not to be used for towing.  
Patent pending.

