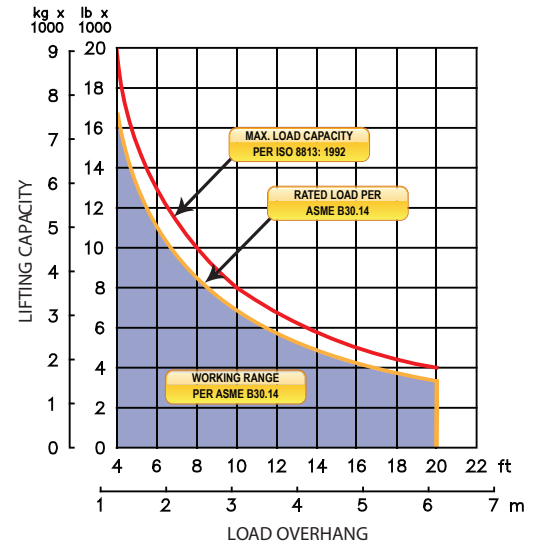


## M520c on JD650K LGP

### LOAD RATING



Sideboom Controls

## FEATURES

**Three lever hydraulic control** allows simultaneous, precise control of the load and boom functions. The controls are easy to operate and require minimal operator training.

**Hydraulic boom stop** automatically prevents system over travel and damage to boom.

**Hydraulically operated, four-bar linkage counterweight system** adds maximum stability and lifting capability. Low, compact design provides balanced weight distribution for optimum operating control and excellent visibility.

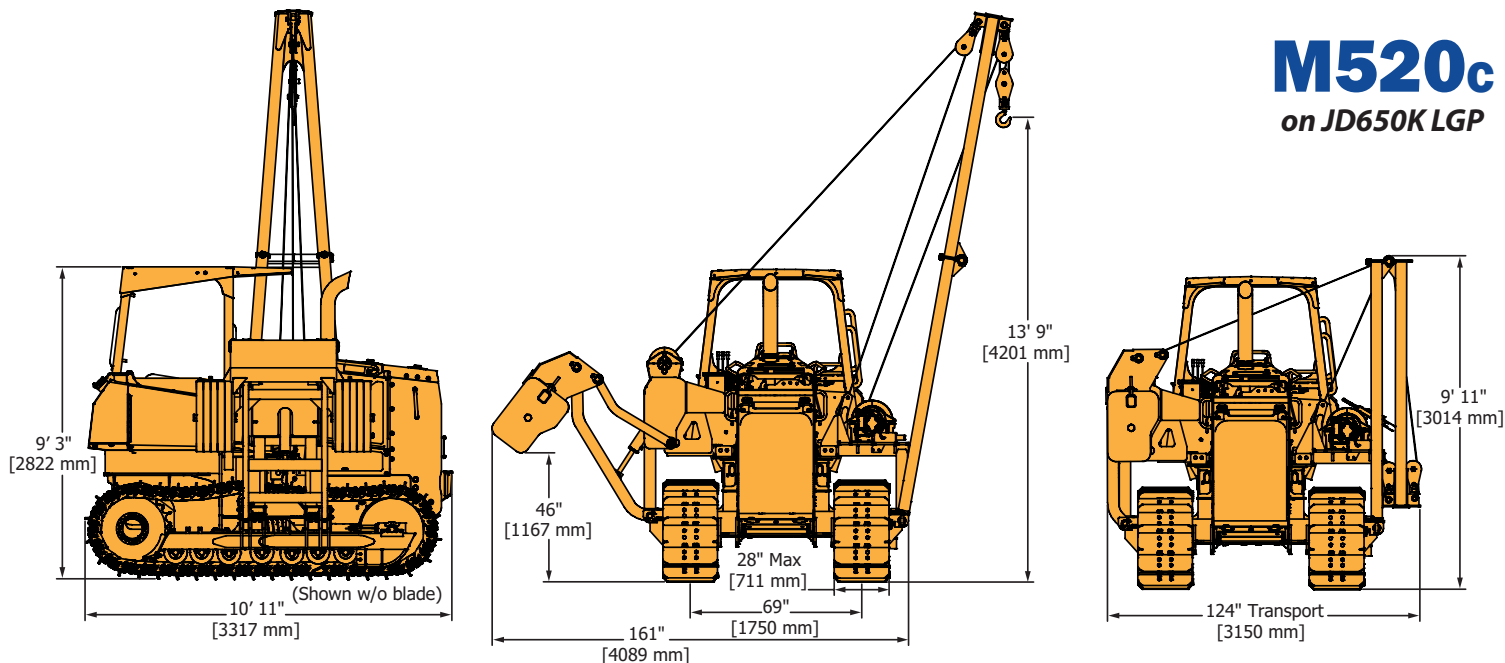
**System employs tractor's existing hydraulic pump, filter and reservoir** for convenience of OEM replacement parts and maintenance.

**Folding boom** for ease of transportation.

**Optional** two speed load winch and boom lengths available.

## SIDEBOOM ATTACHMENTS

## M520c on JD650K LGP



### Load Capacity

Maximum Load at 4 ft Overhang	20,000 lb (9,072 kg)
Rated Load at 4 ft Overhang	17,000 lb (7,711 kg)
Maximum Working Load at 4 ft Overhang	17,000 lb (7,711 kg)

### Boom and Blocks

Standard Boom	15 ft (4.6 m) Folding
Boom Line Parts	2
Load Line Parts	3
Typical Hook Speed	24 ft/min (7 m/min)

### Winches

Boom Winch	Planetary, Single Speed, Dual Brake System
Load Winch	Planetary, Single Speed, Dual Brake System
Wire Rope Installed - Boom Winch	70 ft (21.3 m)
Maximum Cable Capacity - Boom Winch	107 ft (31.1 m)
Wire Rope Installed - Load Winch	85 ft (25.9 m)
Maximum Cable Capacity - Load Winch	320 ft (97.5 m)
Wire Rope - Boom	1/2" (13 mm), 6x36 EIPS, IWRC [26,600 lbs (12,091 kg) Minimum Breaking Strength]
Wire Rope - Load	9/16" (14 mm), 6x36 EIPS, IWRC [33,600 lbs (15,273 kg) Minimum Breaking Strength]

### Hydraulic System

Directional Control Valve	3-Section, open center with manual control
Operating Pressure	3,000 psi (207 bar)
Pump Output	15 gpm (57 lpm)

### Weights

Removable Counterweight Segments	2 @ 1,390 lb (630 kg) each
Total Extendible Counterweight (Segments & Frame)	4,060 lb (1,841 kg)
Total Sideboom Attachment Weight	6,700 lb (3,039 kg)
Approximate Operating & Shipping Weight	26,300 lb (11,930 kg)