



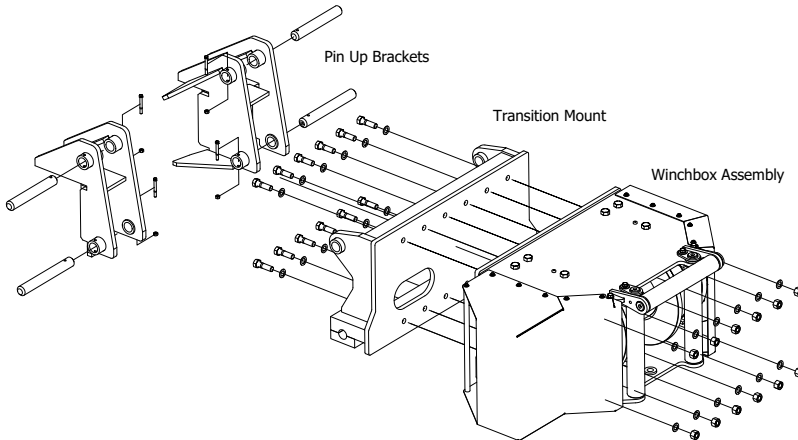
M100W 100,000 lb Recovery Winch for Excavators

FEATURES

- Pins to lower frame of Excavator
- Mounts below cab with clearance for full 360° rotation
- Ties into tram hydraulic circuit
- Bulkhead connections for easy installation and removal
- Uses existing cab controls for all winch functions
- Includes a 3-roller fairlead
- Supplied with 1-1/4" x 125' long wire rope with tail chain and hook

SPECIFICATIONS

WINCH PERFORMANCE SPECIFICATIONS					
2600 PSI			Ø 1.25 CABLE		
GEAR RATIO 168:1	WINCH PERFORMANCE AT LOW SPEED		WINCH PERFORMANCE AT HIGH SPEED		TOTAL DRUM CAPACITY (FT)
	69 GPM	12.76 CID	69 GPM	6.38 CID	
LAYER	STALL LINE PULL (LBS)	WINCH SPEED (FPM)	STALL LINE PULL (LBS)	WINCH SPEED (FPM)	Ø 1.25 CABLE
FIRST	100,000	17	50,000	35	33
SECOND	85,000	21	43,000	42	73
THIRD	72,000	25	36,000	50	121
FOURTH	63,000	29	32,000	58	176



NOTE: Recovery winch only. Not to be used for towing.
Patent pending.

