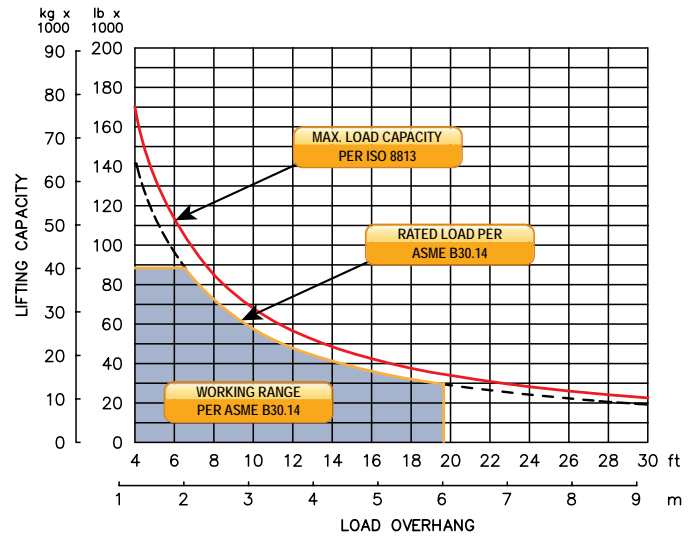




### LOAD RATING



## FEATURES

**Multi-functional joystick controller** allows simultaneous, precise control of the load and boom functions with one hand. Built in electronic switches are used for counterweight and two-speed functions. The controls are easy to operate and require minimal operator training.

**High capacity pipelayer winch package** with high efficiency, two-speed piston motors.

**Superb Operator Visibility** due to new compact sideboom attachment design.

**Hydraulically operated, four-bar linkage counterweight system** adds maximum stability and lifting capability. Low, compact design provides balanced weight distribution for optimum operating control and excellent visibility.

**Emergency free-fall** function on load winch. Allows the operator to drop the load quickly in an emergency situation.

**Electrohydraulic boom stop** automatically prevents system over travel and damage to boom.

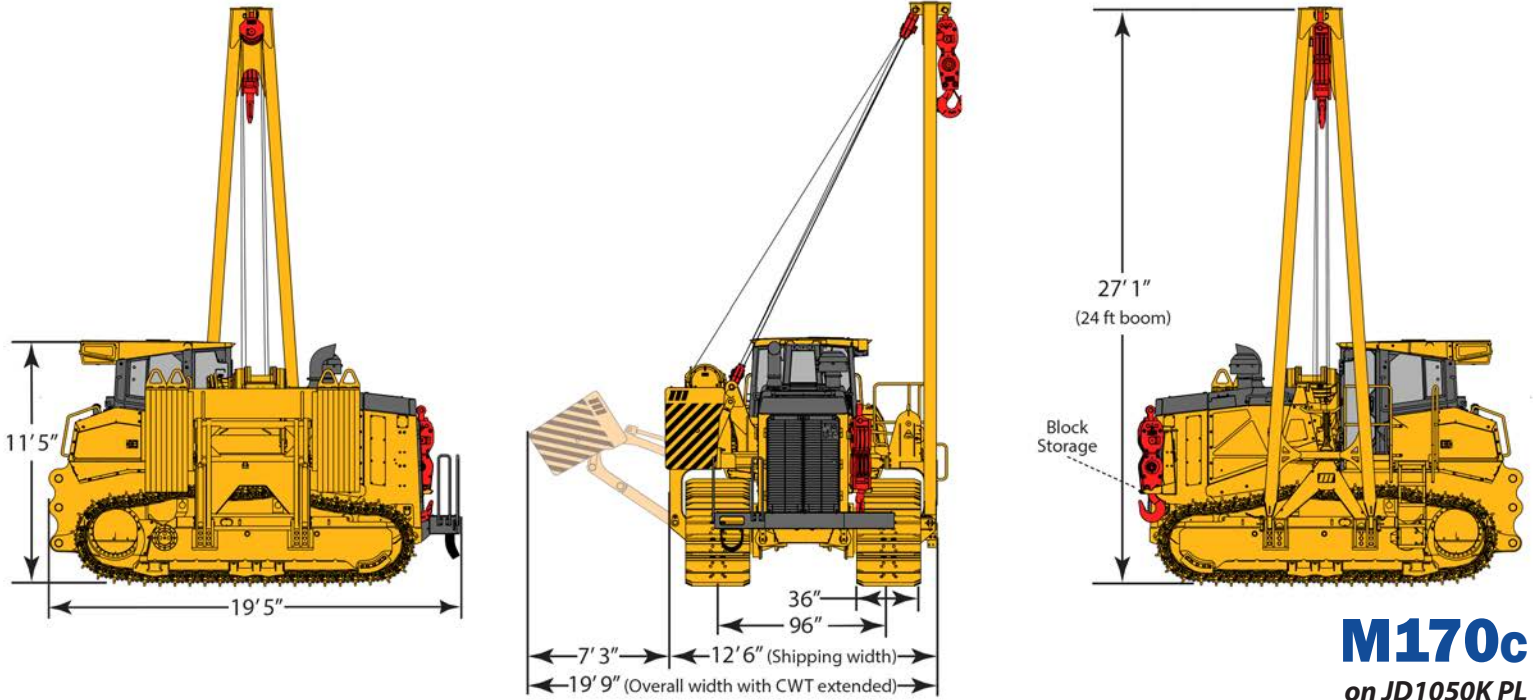
**System ties into tractor's existing hydraulic system** for convenience of OEM replacement parts and maintenance.

**Tubular A-frame boom** with quick release hinge pins for easy boom removal and maintenance.

**Load Indicator System** displays rated capacity, weight of the load on hook, load overhang and slope.

**Optional** boom lengths and Anti-2 Block System available.

## SIDEBOOM ATTACHMENTS



## Load Capacity

Maximum Load at 4 ft Overhang	170,000 lb (77,110 kg)
Rated Load at 4 ft Overhang	144,500 lb (65,544 kg)
Maximum Working Load at 4 ft Overhang	88,200 lb (40,006 kg)

## Boom and Blocks

Standard Boom	24 ft (7.3 m)
Boom Line Parts	5
Load Line Parts	6
Typical Hook Speed	60/30 ft/min (18/9 m/min)

## Winches

Boom Winch	Planetary, Two-Speed, Dual Brake System
Load Winch	Planetary, Two-Speed, Dual Brake System, Free-Fall
Wire Rope Installed - Boom Winch	210 ft (64 m)
Maximum Cable Capacity - Boom Winch	319 ft (97 m)
Wire Rope Installed - Load Winch	245 ft (75 m)
Maximum Cable Capacity - Load Winch	391 ft (119 m)
Wire Rope - Boom & Load Line	3/4 in (19 mm), 6x36 EIPS, IWRC [58,800 lbs (26,671 kg) Minimum Breaking Strength]

## Hydraulic System

Directional Control Valve	3-Section, Load Sense, Pressure Compensated w/ Electrohydraulic Controls
Operating Pressure	4,500 psi (310 bar)
Pump Output	100 gpm (379 lpm)

## Weights

Removable Counterweight Segments	17,560 lb (7,965 kg) 4 @ 4,390 lb (4 @ 1,991 kg)
Total Extendible Counterweight (Segments & Frame)	23,370 lb (10,600 kg)
Total Sideboom Attachment Weight	38,200 lb (17,328 kg)
Approximate Operating Weight	123,200 lb (55,884 kg)
Approx. Shipping Weight - Less Boom & Counterweights	102,950 lb (46,698 kg)