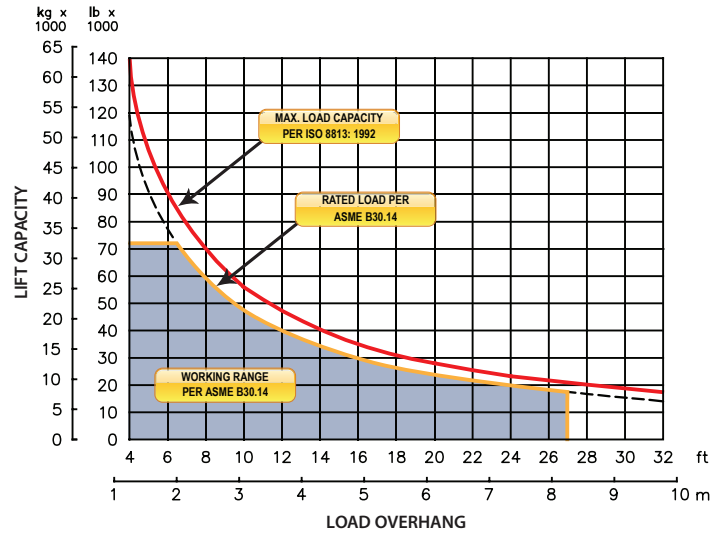


M583c

on JD 1050J

LOAD RATING



Sideboom Controls

FEATURES

Multi-axis, hydraulic joystick allows simultaneous, precise control of the load and boom functions with one hand. Single lever, hydraulic remote control valves are used for counterweight and two-speed functions. The controls are easy to operate and require minimal operator training.

Emergency free-fall function on load winch.

Hydraulic boom stop automatically prevents system over travel and damage to boom.

Hydraulically operated, four-bar linkage counterweight system adds maximum stability and lifting capability. Low, compact design provides balanced weight distribution for optimum operating control and excellent visibility.

System employs tractor's existing hydraulic pump, filter and reservoir for convenience of OEM replacement parts and maintenance.

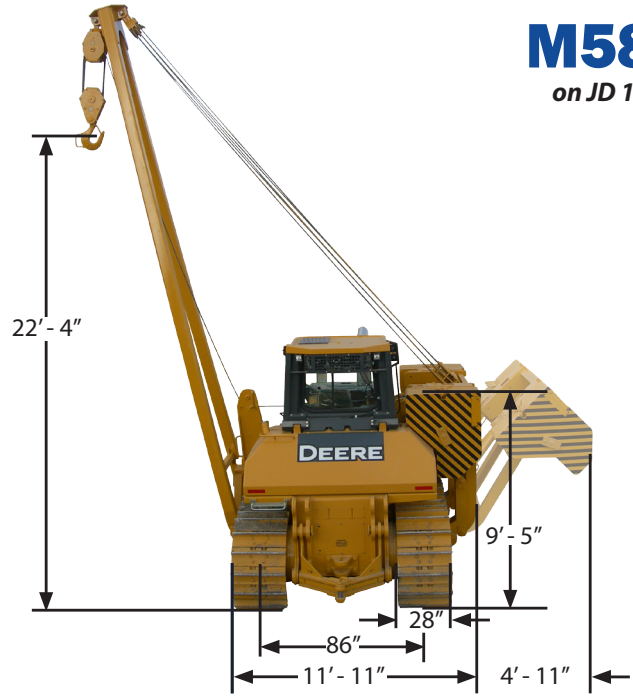
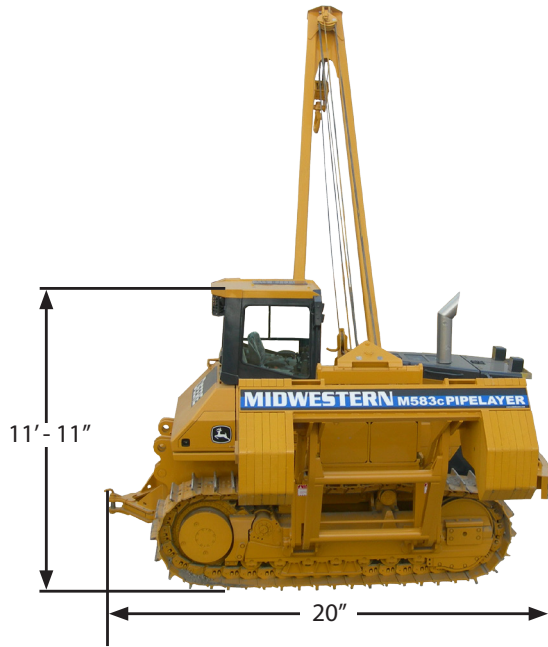
Tubular A-frame boom with quick release hinge pins for easy boom removal and maintenance.

Standard bumper helps prevent damage to front of machine.

Optional boom lengths and load monitoring system available.

SIDEBOOM ATTACHMENTS

M583c on JD 1050J



Load Capacity

Maximum Load at 4 ft Overhang	140,00 lb (63,504 kg)
Rated Load at 4 ft Overhang	119,000 lb (53,978 kg)
Maximum Working Load at 4 ft Overhang	72,000 lb (32,659 kg)

Boom and Blocks

Standard Boom	24 ft (7.3 m)
Boom Line Parts	5
Load Line Parts	6
Typical Hook Speed	37/17 ft/min (11.3/5.2 m/min)

Winches

Boom Winch	Planetary, Two-Speed, Dual Brake System
Load Winch	Planetary, Two-Speed, Dual Brake System, Free-Fall
Wire Rope Installed - Boom Winch	225 ft (68.6 m)
Maximum Cable Capacity - Boom Winch	242 ft (73.8 m)
Wire Rope Installed - Load Winch	250 ft (76.5 m)
Maximum Cable Capacity - Load Winch	423 ft (129 m)
Wire Rope - Boom & Load Line	3/4 in (19 mm), 6x36 EIPS, IWRC [58,800 lbs (26,671 kg) Minimum Breaking Strength]

Hydraulic System

Directional Control Valve	3-Section, Load Sense, Pressure Compensated w/ Electrohydraulic Controls
Operating Pressure	3,200 psi (220 bar)
Pump Output	68 gpm (257 lpm)

Weights

12 Removable Counterweight Segments	13,500 lb (6,124 kg) Total
Total Extendible Counterweight (Segments & Frame)	25,000 lb (11,340 kg)
Total Sideboom Attachment Weight	42,100 lb (19,097 kg)
Approximate Operating Weight	105,000 lb (47,627 kg)
Approx. Shipping Weight - Less Boom & CWT Segments	88,000 lb (39,916 kg)