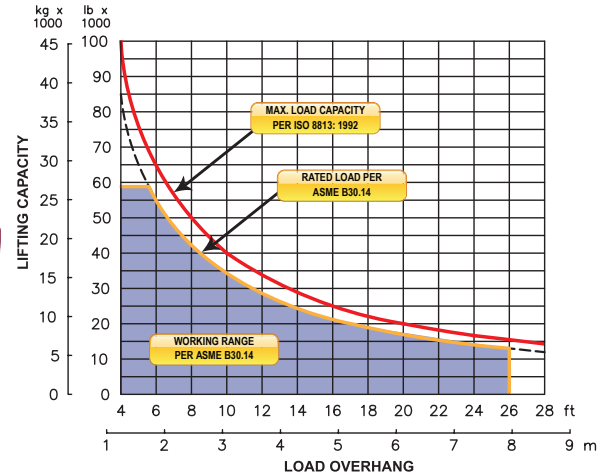


M572c xL

on JD850K LGP (FT4)

LOAD RATING



Improved Operator Visibility



Sideboom Controls

FEATURES

Multi-functional joystick controller allows simultaneous, precise control of the load and boom functions with one hand. Electronic rocker switches are used for counterweight and two-speed functions. The controls are easy to operate and require minimal operator training.

High capacity pipelayer winch package with high efficiency, two-speed piston motors.

Improved Operator Visibility due to new compact sideboom attachment design.

Hydraulically operated, four-bar linkage counterweight system adds maximum stability and lifting capability. Low, compact design provides balanced weight distribution for optimum operating control and excellent visibility.

Emergency free-fall function on load winch.

Electrohydraulic boom stop automatically prevents system over travel and damage to boom.

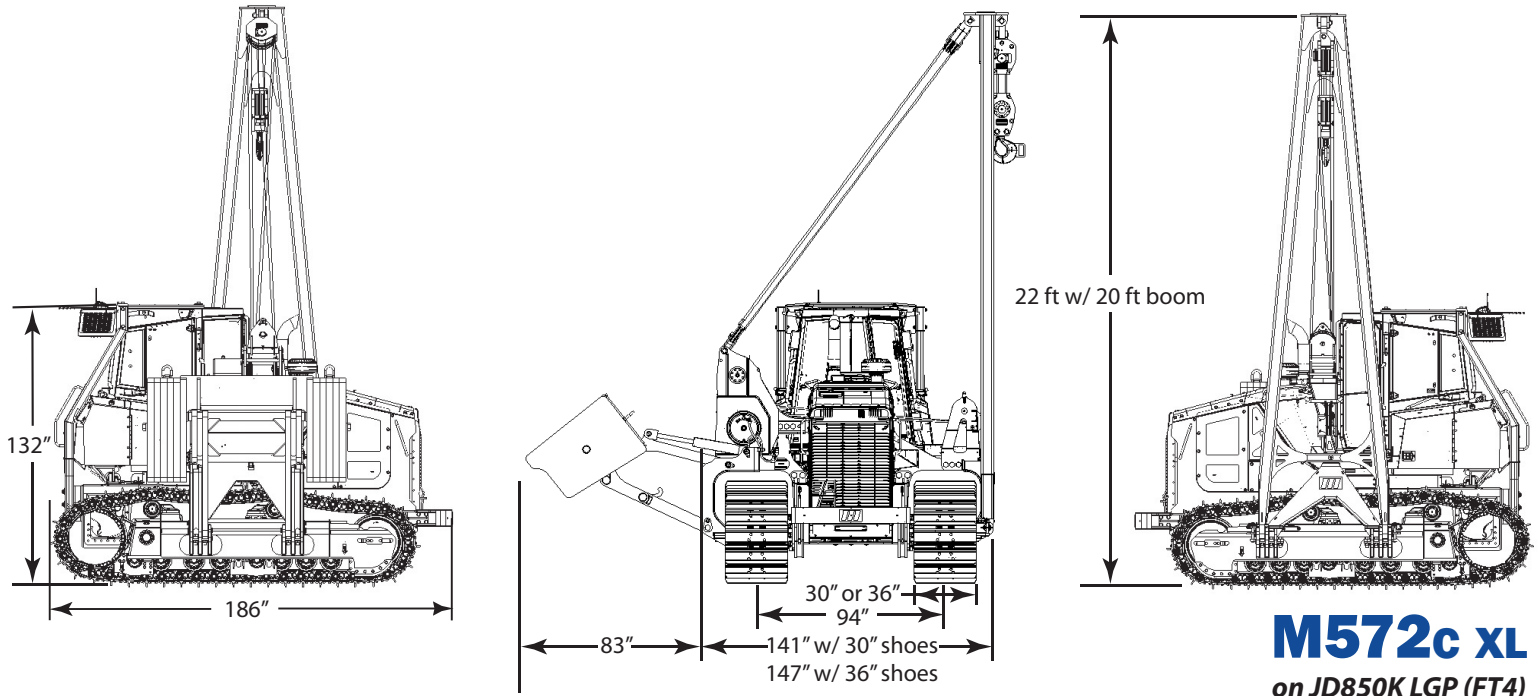
System employs tractor's existing hydraulic pump, filter and reservoir for convenience of OEM replacement parts and maintenance.

Tubular A-frame boom with quick release hinge pins for easy boom removal and maintenance.

Standard bumper helps prevent damage to front of machine.

Optional boom lengths and load monitoring system available.

SIDEBOOM ATTACHMENTS



Load Capacity

Maximum Load at 4 ft Overhang	100,000 lb (45,359 kg)
Rated Load at 4 ft Overhang	85,000 lb (35,555 kg)
Maximum Working Load at 4 ft Overhang	58,800 lb (26,672 kg)

Boom and Blocks

Standard Boom	20 ft (6.1 m)
Boom Line Parts	4
Load Line Parts	4
Typical Hook Speed	60/30 ft/min (18/9 m/min)

Winches

Boom Winch	Planetary, Two-Speed, Dual Brake System
Load Winch	Planetary, Two-Speed, Dual Brake System, Free-Fall
Wire Rope Installed - Boom Winch	150 ft (45.7 m)
Maximum Cable Capacity - Boom Winch	423 ft (129 m)
Wire Rope Installed - Load Winch	170 ft (51.8 m)
Maximum Cable Capacity - Load Winch	423 ft (129 m)
Wire Rope - Boom & Load Line	3/4 in (19 mm), 6x36 EIPS, IWRC [58,800 lbs (26,671 kg) Minimum Breaking Strength]

Hydraulic System

Directional Control Valve	3-Section, Load Sense, Pressure Compensated w/ Electrohydraulic Controls
Operating Pressure	3,500 psi (241 bar)
Pump Output	53 gpm (201 lpm)

Weights

Removable Counterweight Segments	10 @ 1,125 lb (510 kg) each
Total Extendible Counterweight (Segments & Frame)	16,500 lb (7,484 kg)
Total Sideboom Attachment Weight	28,300 lb (12,837 kg)
Approximate Operating Weight	69,200 lb (31,389 kg)
Approx. Shipping Weight - Less Boom @ 2,200 lb (998 kg)	67,000 lb (30,391 kg)